

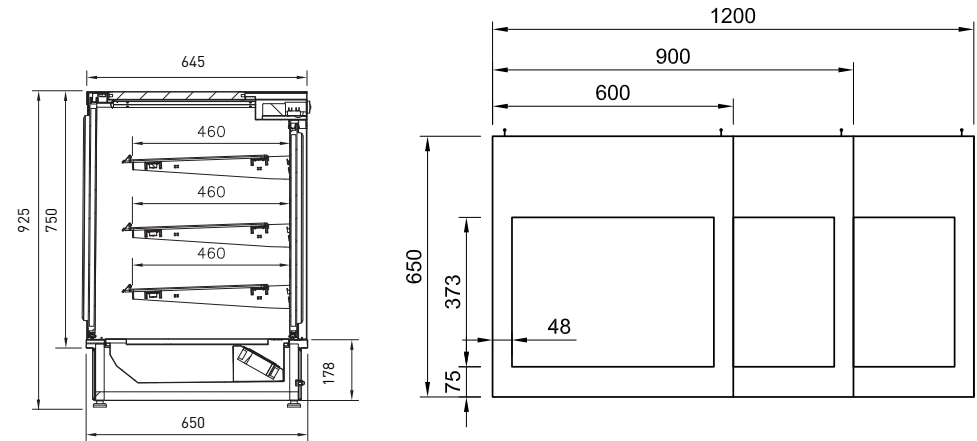


## HT

STGHT6 STGHT6-SD  
 STGHT9 STGHT6-SD  
 STGHT12 STGHT12-SD

- Deck forced heating
- Single glazed
- Sliding rear doors
- Solid front or sliding front doors
- Three adjustable shelves - flat or angled
- Ticket strips on shelves and base
- Under shelf and canopy LED lights

Solid glass front - optional  
 STGHT6 hinged rear door



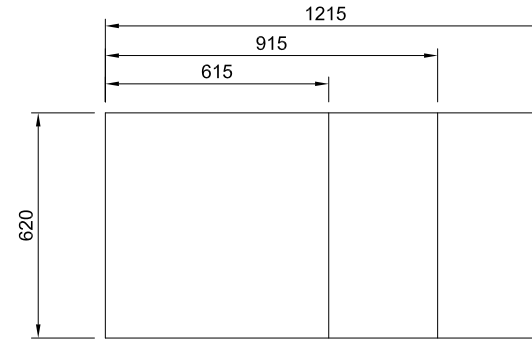
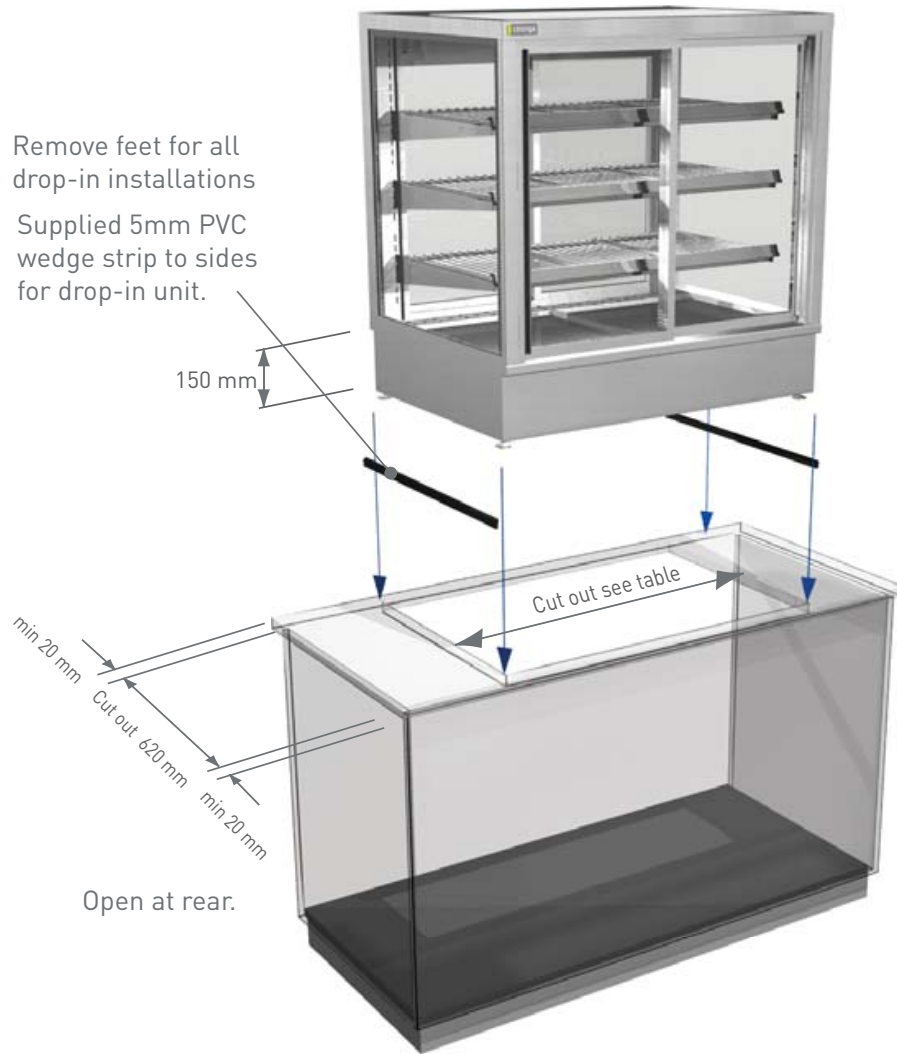
## CABINET DIMENSIONS & SPECIFICATIONS

Heated 68°C-78°C

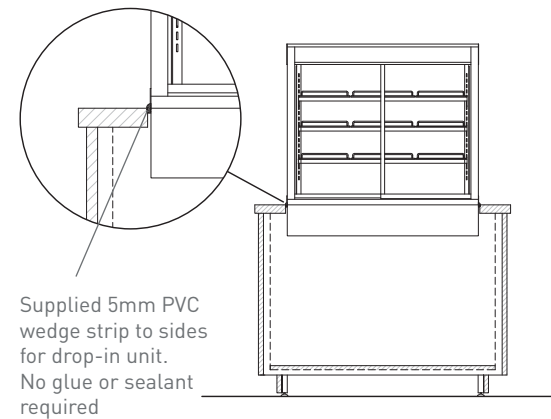
MODEL	CABINET				CUT OUTS	SHELVING		BASE TRAY	TOTAL FOOD	DISPLAY	INTERNAL VOLUME	POWER		CONNECTION ELECTRICAL POWER CORD 2200MM		VOLTAGE	PACKED FOR SHIPPING			
	LENGTH [MM]	DEPTH [MM]	HEIGHT [MM]	WEIGHT [KG]		NO.	SIZE W X D	SIZE W X D	100MM UNITS	M <sup>2</sup>	M <sup>3</sup>	KW 230V	AMPS	NZ/AUS	UK	LENGTH [MM]	DEPTH [MM]	HEIGHT [MM]	WEIGHT [KG]	
STGHT6-SD STGHT6	600	650	925	88	615x620	3+BASE	490 x 440	540 x 415	55	0.80	0.31	1.24	5.4	10 AMP 3 PIN PLUG	13 AMP 3 PIN PLUG	220-240V	700	730	1100	95
STGHT9-SD STGHT9	900	650	925	110	915x620	3+BASE	790 x 440	840 x 415	84	1.27	0.34	1.71	7.4	10 AMP 3 PIN PLUG	13 AMP 3 PIN PLUG	220-240V	1000	730	1100	117
STGHT12-SD STGHT12	1200	650	925	126	1215x620	3+BASE	1090 x 440	1140x 415	121	1.75	0.46	2.21	9.6	15 AMP 3 PIN PLUG	15 AMP 3 PIN PLUG	220-240V	1300	730	1100	133

Maximum shelf load weight 15kg spread evenly

**SLIDING FRONT DOORS** and rear glass sliding doors STGHT-SD  
**SOLID FRONT** and rear glass sliding doors STGHT

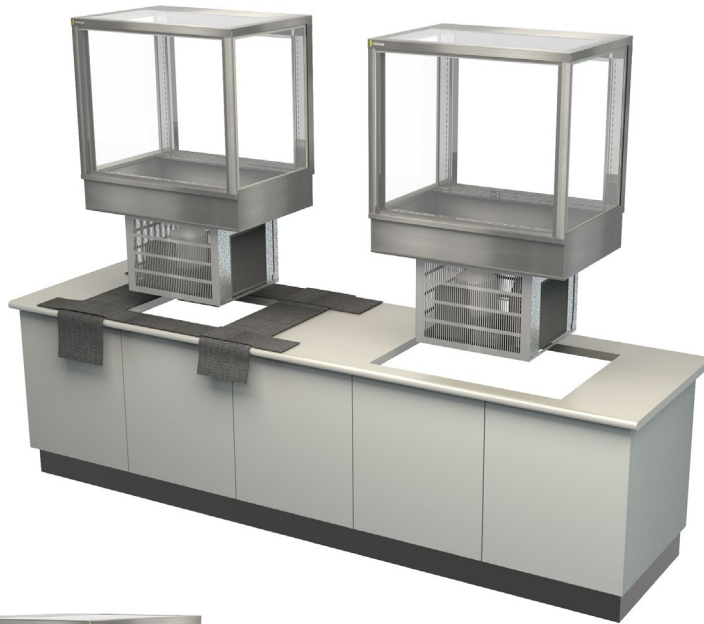


benchtop cut out sizes



THESE UNITS ARE HEAVY AND REQUIRE LIFTING INTO BENCH TOPS

PROTECT  
BENCHTOP ▶



◀ REMOVE

- To reduce weight remove
- All doors
- Shelving
- Base plates

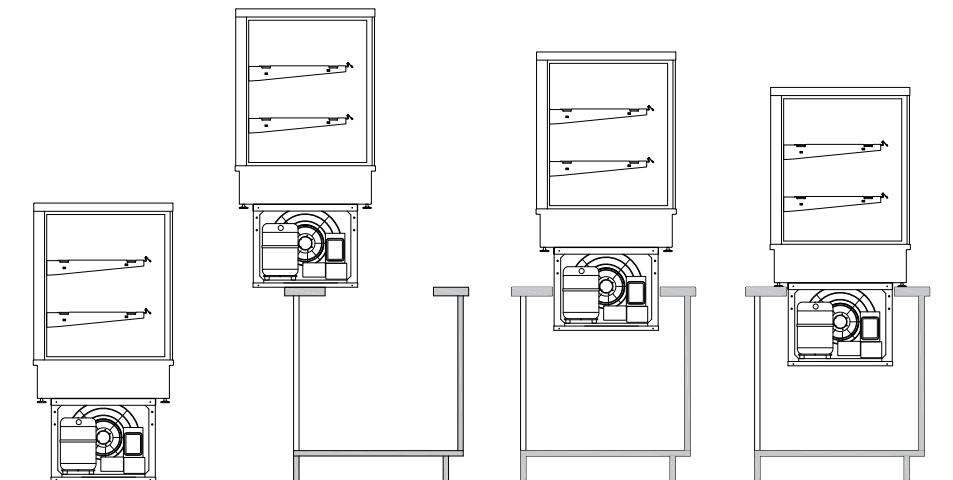
▶ PLAN AHEAD

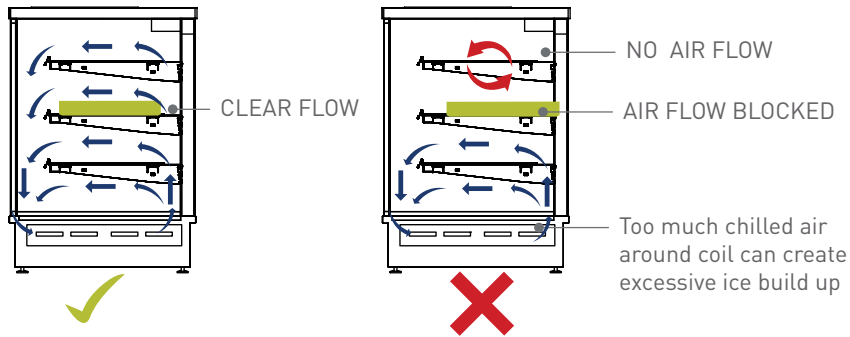
- Have plenty of labour on hand
- Use a mechanical lifting device - optional
- Check bench top hole measurement
- Ensure enough clear depth in cabinet work
- Protect bench top with a mat or similar
- Pre-adjust unit feet if needed

All accepted local safety work wear and standards should be adhered to with a safety programme developed before undertaking of this kind of lifting work



◀ LIFT TO BENCH  
AND REST





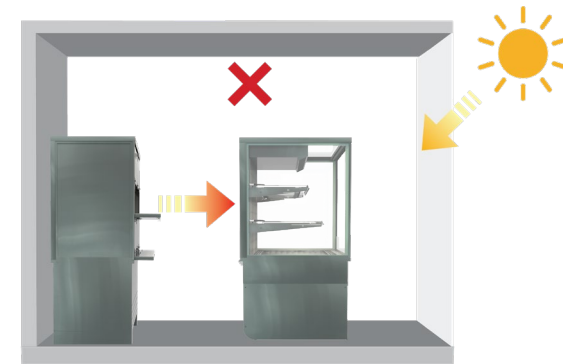
## CORRECT AIRFLOW

## IN CORRECT AIRFLOW

- Blocked air flow will retard operation on both HOT and COLD units
- Ensure trays or plates are not blocking air flow at rear

## Locations to avoid

- Close to shop front exterior
- In an outside location
- In direct sunlight
- In a high wind
- Near any source producing excessive heat
- Service units more frequently in dusty or polluted areas

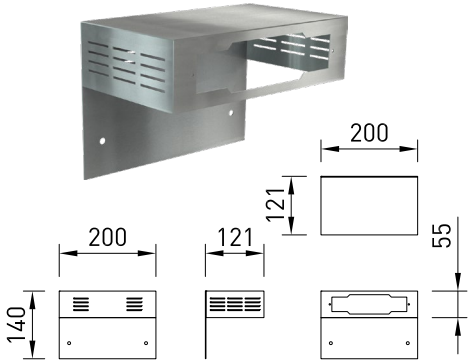


## Environmental conditions

Heat from other equipment and natural conditions, such as direct sunlight straight on units, can cause cooling to fail and overload compressor

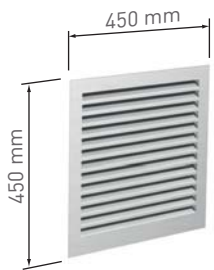
## Top Mounted Controller Panel

For against wall installations  
Sold individually



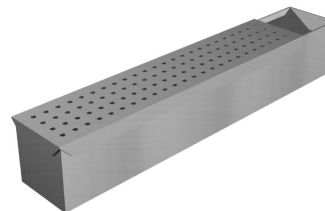
## Ventilation Grill

Stainless Steel  
Sold individually



## Humidity Dish

Stainless Steel  
Perforated lid is removable



## Base Tray - Heated Units

Stainless Steel  
For heated units  
Sold in pairs



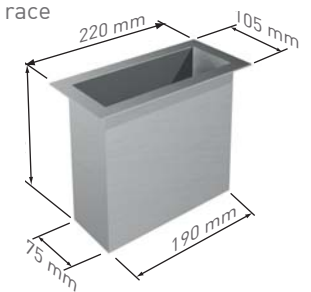
## Tong Holder

Stainless Steel  
Drop into counter tray race  
Sold individually



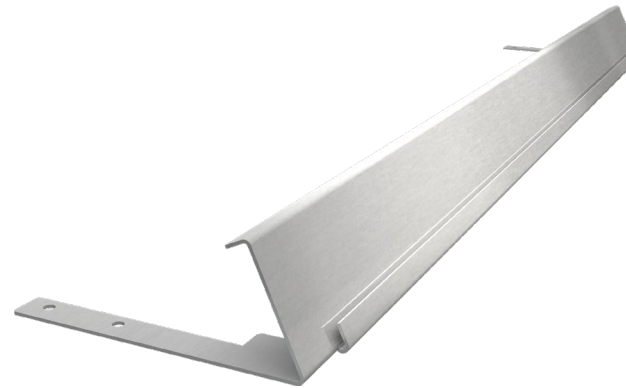
## Bag Holder

Stainless Steel  
Drop into counter tray race  
Sold individually

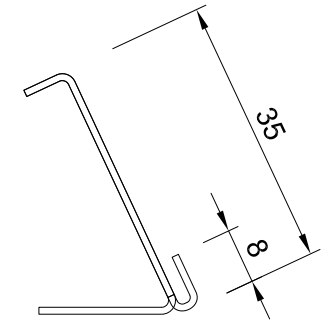




Shelf with ticket strip attached



**Ticket Strip**  
Stainless Steel  
Attaches to shelf frame



End Profile

## Lengths

CABINET LENGTH MM	TICKET STRIP LENGTH
600	475
900	775
1200	1075
1500	1375

## Price Tabs

Stainless Steel  
Write on with marker or adhesive tape  
Measure 60mm x 30mm  
Sold in packs of 20

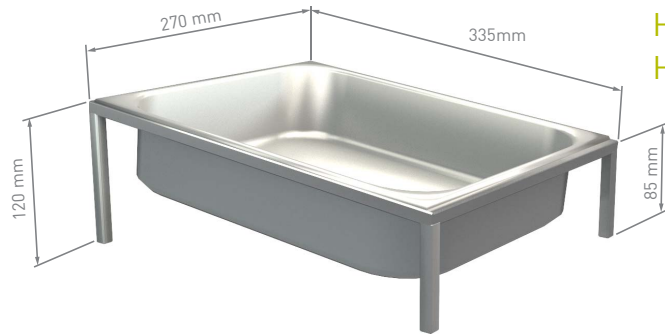


## Gastronorm Pan Kit

Allows you to merchandise multiple hot food choices in one cabinet

Expand the use of your heated cabinet with this Gastronorm Pan Kit with an angled frame that accepts 1/2 Gastro pan 65 mm (supplied)  
Holds fried foods and bulky products like chicken, lasagne, toppers, roast potatoes, etc.

Remove bottom shelf for optimum viewing



HT6 - 2 Pans  
HT9 - 3 Pans  
HT12 - 4 Pans

Stainless steel construction  
angled display view

## 1 Rack + 1/2 Pan

One rack with half size pan



## Mirror film

- Applied to the inside glass rear doors
- Suitable for heated and chilled units

ADDS  
DEPTH  
TO YOUR  
DISPLAYS

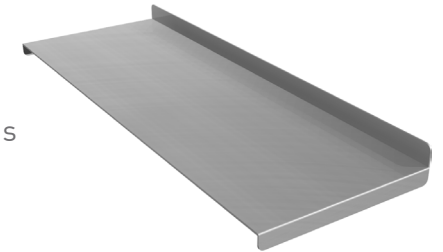


Mirror film adhered to  
inside of rear door glass

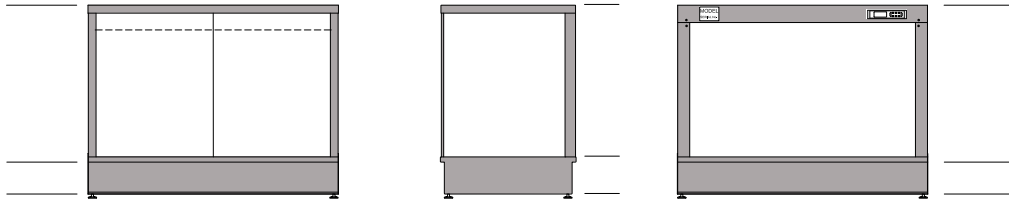
BLOCKS  
WORK AREAS  
BEHIND  
UNITS

## Pie Trays

- Stainless Steel Construction
- Placed on shelves for heated food items

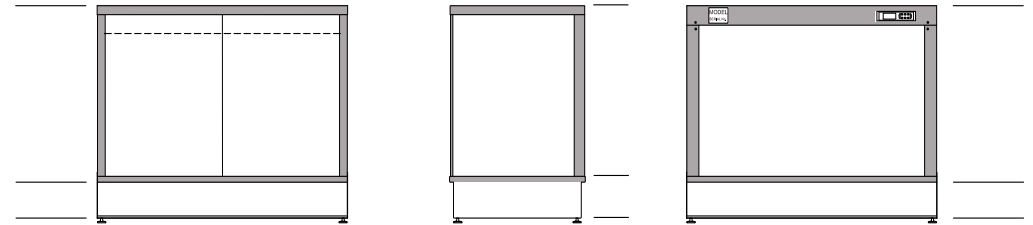


MODEL	CODE	QUANTITY	PIE TRAYS			TOTAL	TRAY WIDTH
			1ST SHELF DEPTH	2ND SHELF DEPTH	3RD SHELF DEPTH		
STGHT6	AA16015	4 Per Shelf	400MM	400MM	400MM	12 Trays	120MM
STGHT9	AA16016	6 Per Shelf	400MM	400MM	400MM	18 Trays	130MM
STGHT12	AA16017	9 Per Shelf	400MM	400MM	400MM	27 Trays	120MM

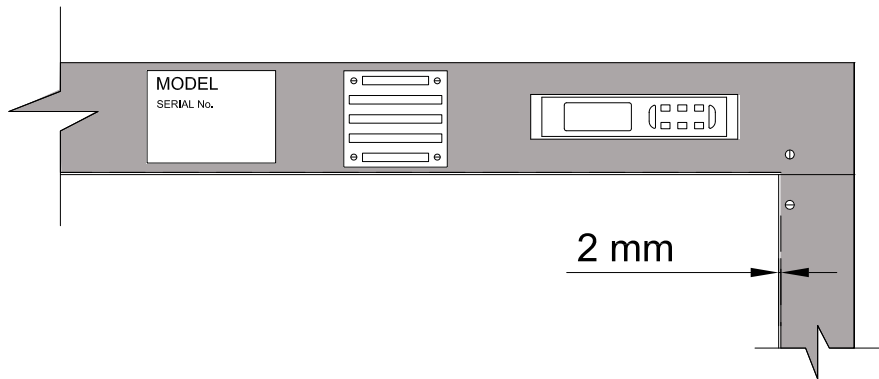


## COUNTER TOP MODEL

all exterior visible areas covered



all exterior top visible areas covered



2mm gap left around rear frame

Rear of units cut around serial number plate,  
exhaust fan and controller

