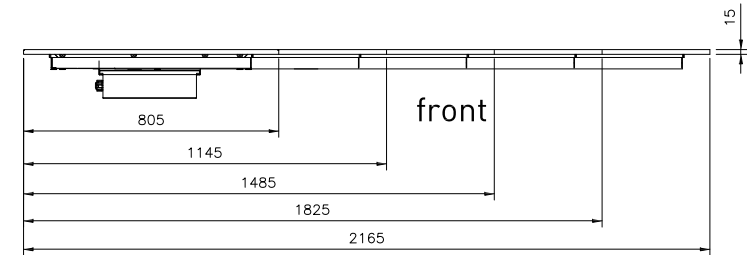
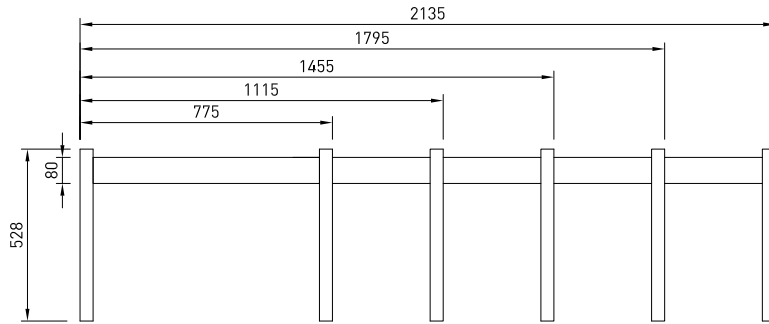
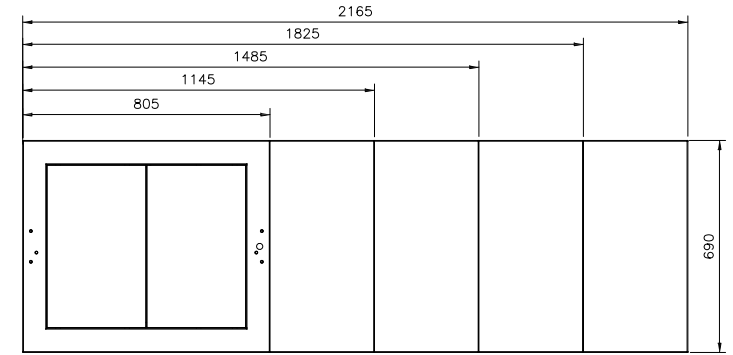
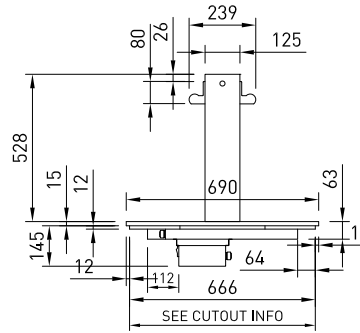


CM

LSCM2
LSCM3
LSCM4
LSCM5
LSCM6

- Ceramic Heated Glass
- Overhead Ceramic Heaters and LED Lighting
- Digital thermostatic controller
- Heat indicating LED lights



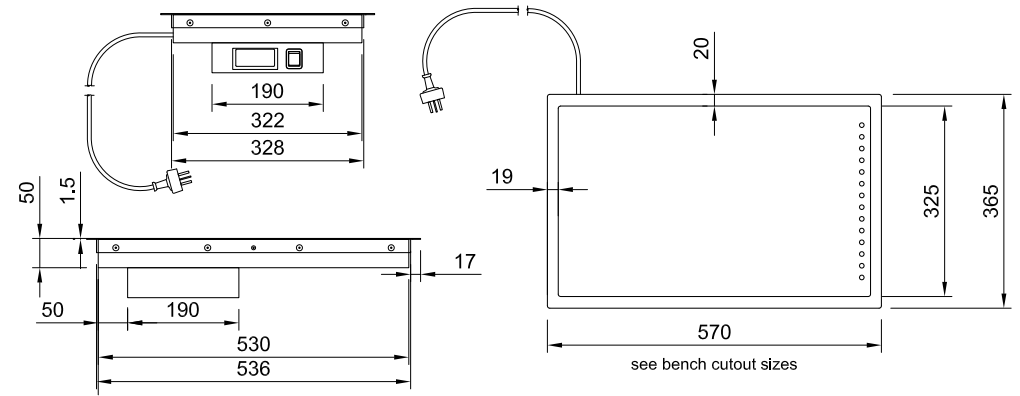
CABINET DIMENSIONS & SPECIFICATIONS

MODEL	CABINET			WEIGHT KG	BENCH TOP CUT OUT HOLE SIZE	TEMP RANGE DEG C	DISPLAY AREA M2	FREQUENCY	CURRENT WITH OVERHEAD HEATING & LEDS AMPS	POWER WITH OVERHEAD HEATING & LEDES KW 230V	CONNECTION ELECTRICAL POWER CORD 3000MM NZ/AUS/UK	VOLTAGE	PACKED FOR SHIPPING			
	LENGTH [MM]	DEPTH [MM]	HEIGHT [MM]										LENGTH [MM]	DEPTH [MM]	HEIGHT [MM]	WEIGHT [KG]
LSCM2	805	690	555	65	775x672	75-95	0.33	50/60 HZ	7.9	1.9	10 AMP 3 PIN PLUG (UK 13 AMP)	220-240V	910	770	410	76
LSCM3	1145	690	555	65	1115x672	75-95	0.51	50/60 HZ	11.7	2.691	15 AMP LEAD ONLY	220-240V	1250	770	410	88
LSCM4	1485	690	555	85	1455x672	75-95	0.68	50/60 HZ	15.7	3.611	20 AMP LEAD ONLY	220-240V	1590	770	410	107
LSCM5	1825	690	555	97	1795x672	75-95	0.86	50/60 HZ	19.6	4.508	20 AMP LEAD ONLY	220-240V	1930	770	410	128
LSCM6	2165	690	555	109	2135x672	75-95	1.04	50/60 HZ	23.5	5.405	30 AMP LEAD ONLY	220-240V	2270	770	410	140



CM^{LSSC1}

- Single ceramic heated glass
- Digital thermostatic controller
- Heat indicating LED lights on panel
- Flush mount drop in module

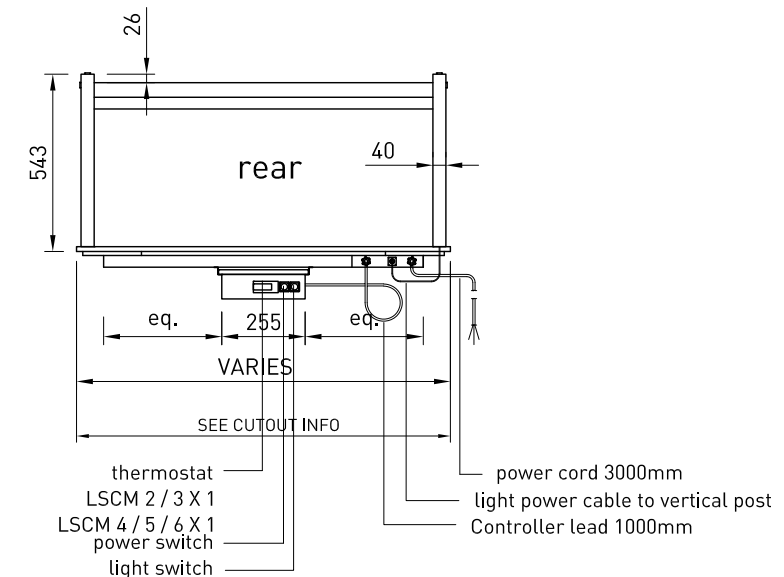
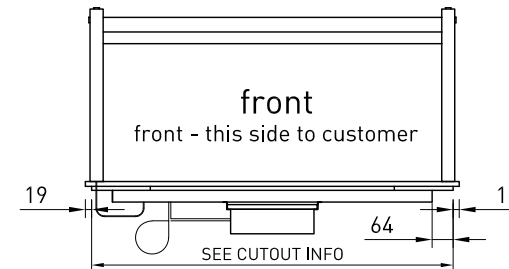
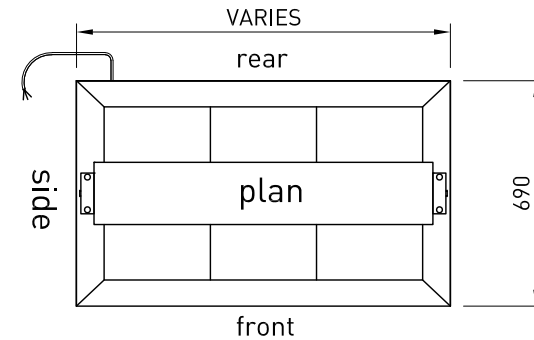
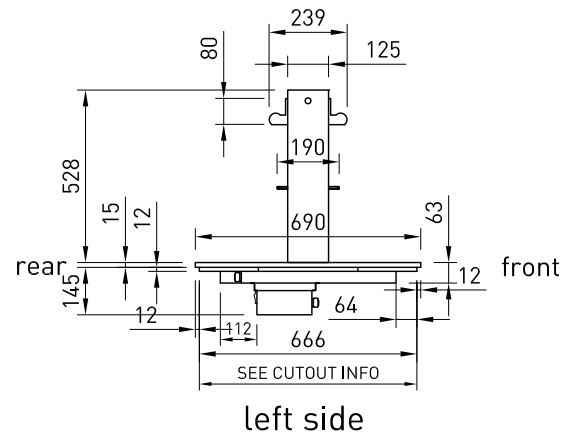


MODEL	CABINET			WEIGHT	BENCH TOP CUT OUT HOLE SIZE	TEMP RANGE	DISPLAY AREA	FREQUENCY	OPERATING CURRENT	POWER	CONNECTION ELECTRICAL POWER CORD 3000MM	VOLTAGE	PACKED FOR SHIPPING			
	LENGTH [MM]	DEPTH [MM]	HEIGHT [MM]										KG	DEG C	M2	AMPS
LSSC1	570	365	1.5	18	545 x 338	75-95		50/60 HZ	2.52	0.579	10 AMP 3 PIN PLUG	220-240V	680	420	165	20

ELECTRICAL POWER

Electrical power cord 3000mm
1 phase connection required.

Unit can be hard wired to isolation switch or fitted with suitable heavy duty plug such as PDL 56 series or Commando style plug.



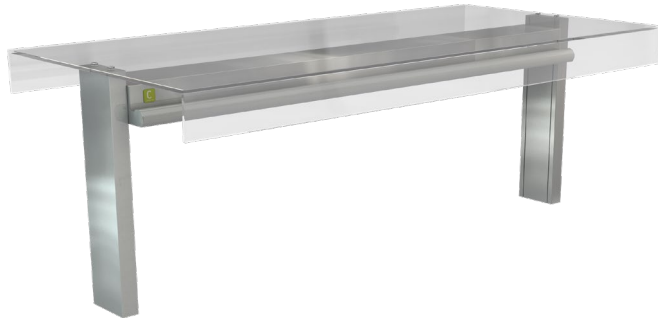
Panel
Controllers
LSCM 2/3 X 1
LSCM 4/5/6 X 2

PANEL CONTROLLERS

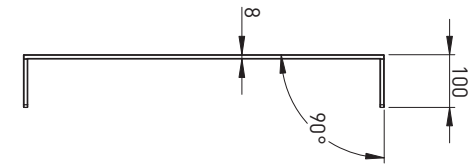
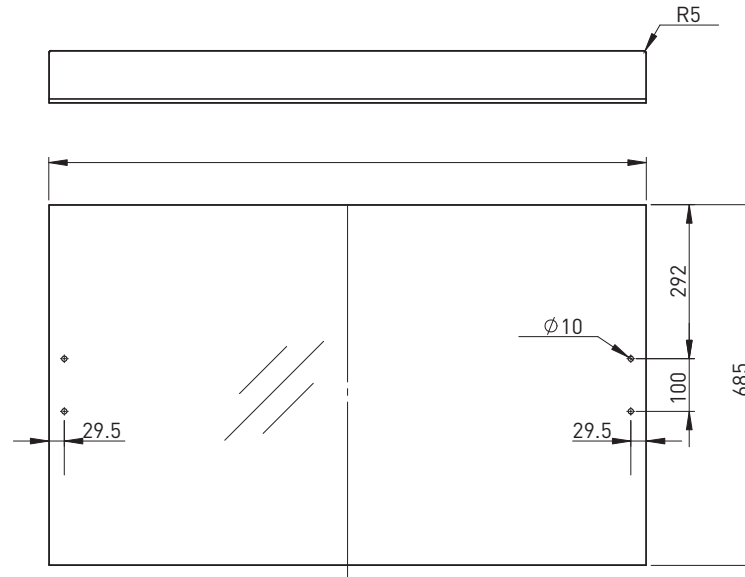
MODEL	NUMBER OF PANELS	NUMBER OF CONTROLLERS	GROUP OF PANELS CONTROLLED
LSCM2	2	1	CONTROLLER 1 - 2
LSCM3	3	1	CONTROLLER 1 - 3
LSCM4	4	2	CONTROLLER 1 - 2 CONTROLLER 2 - 2
LSCM5	5	2	CONTROLLER 1 - 2 CONTROLLER 2 - 3
LSCM6	6	2	CONTROLLER 1 - 3 CONTROLLER 2 - 3

GLASS CANOPY OPTIONS

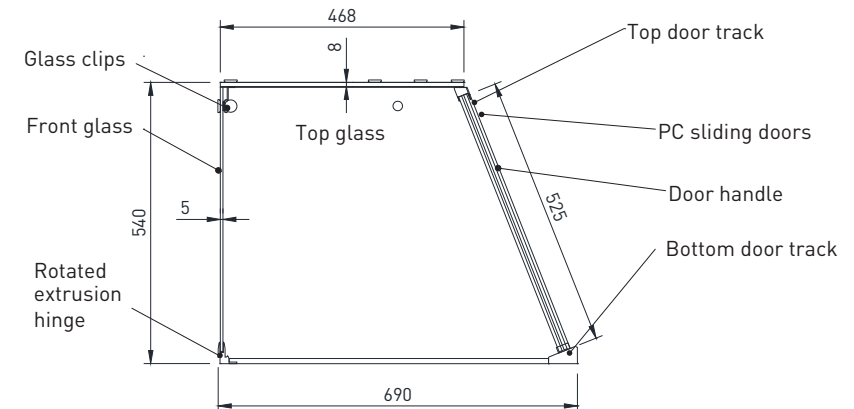
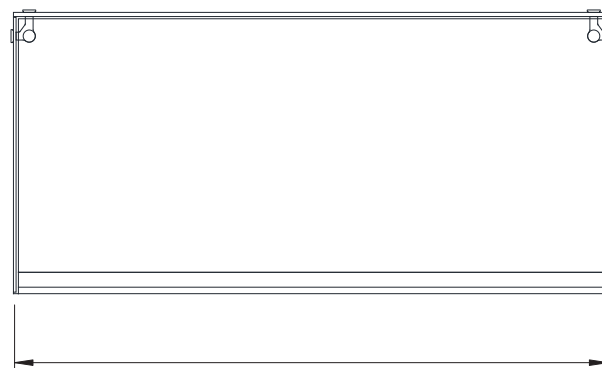
ASSEMBLY REQUIRED



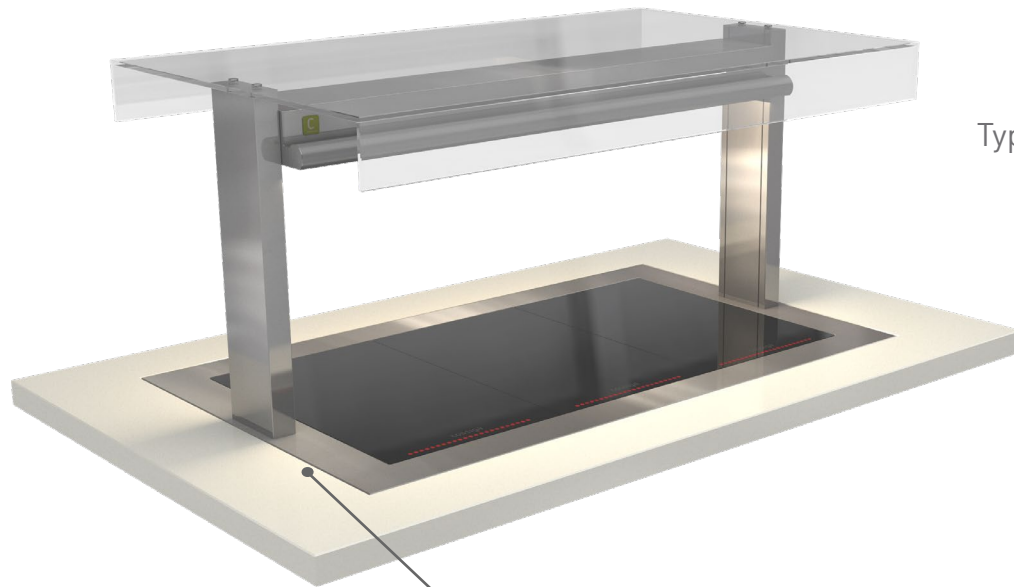
GLFT Flat Top



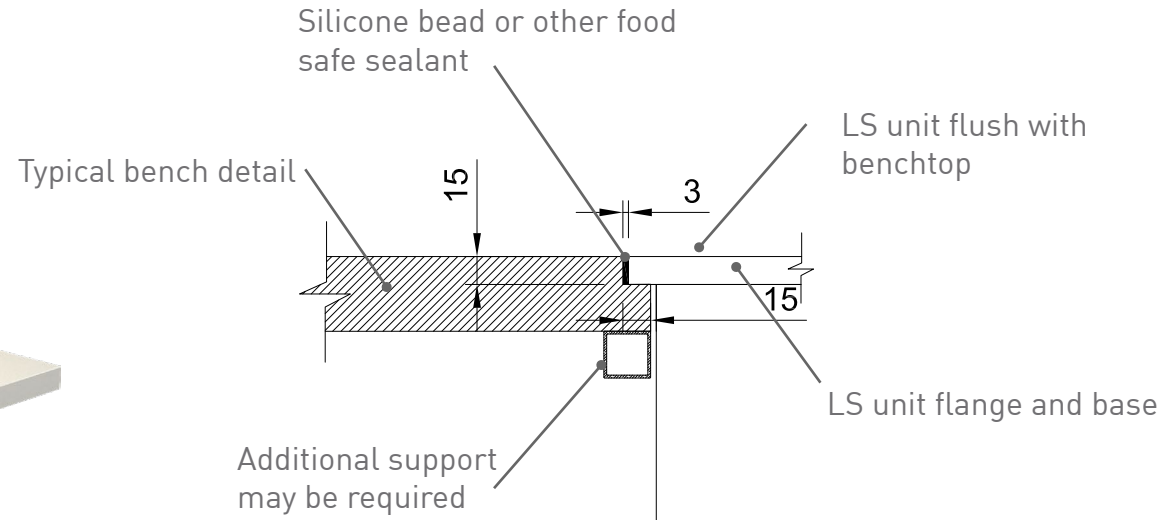
GLFS Full Square Glass



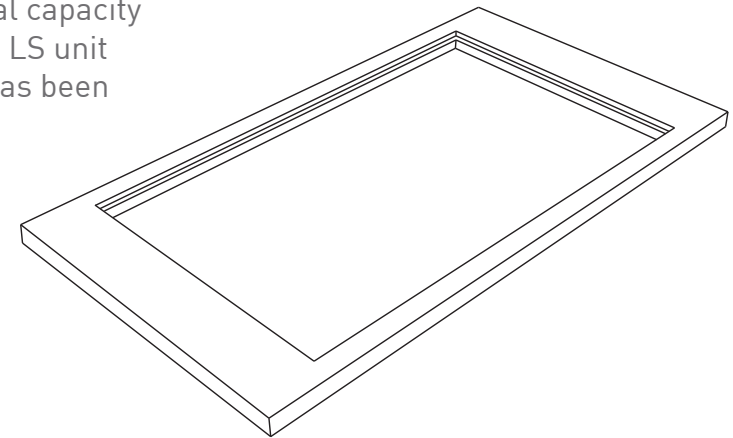
FLUSH BENCH TOP DETAIL

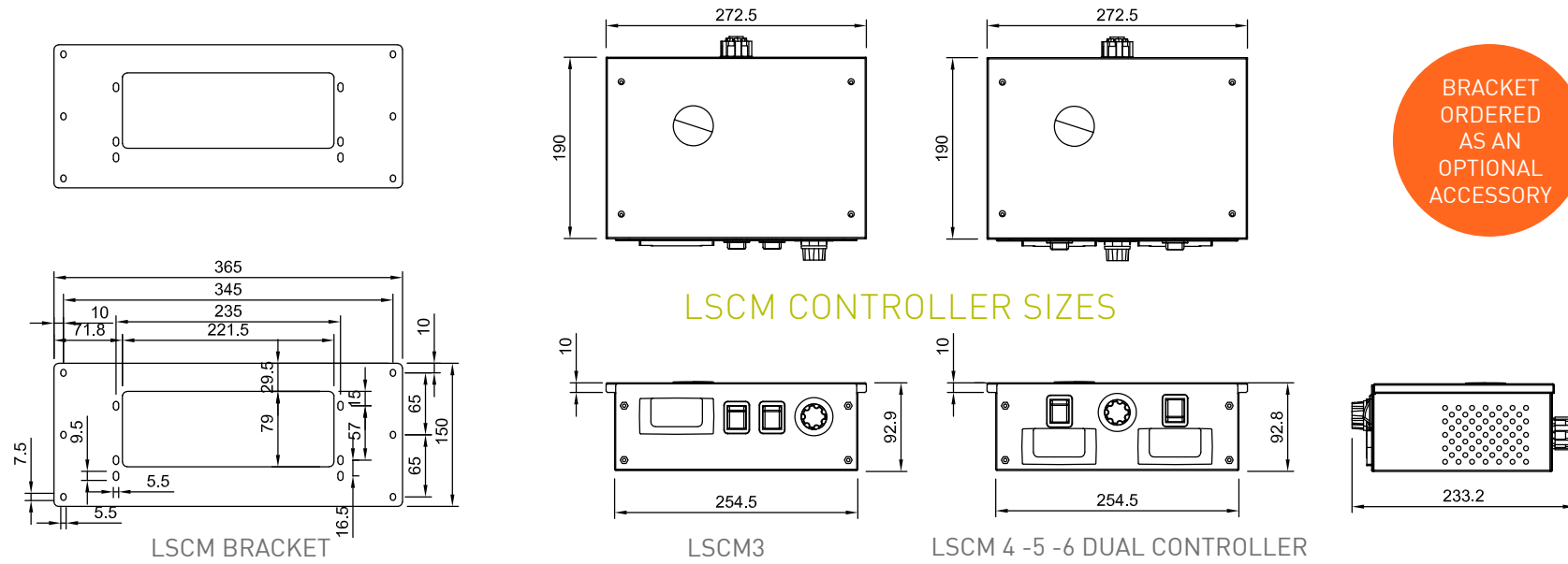


Additional support may be required under bench ie. stainless steel hollow section to frame



Counter top joinery must be of sufficient structural capacity to take the weight of the LS unit when the flange detail has been made.

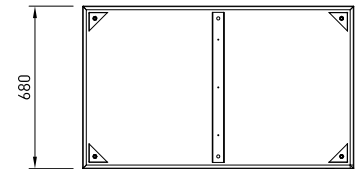
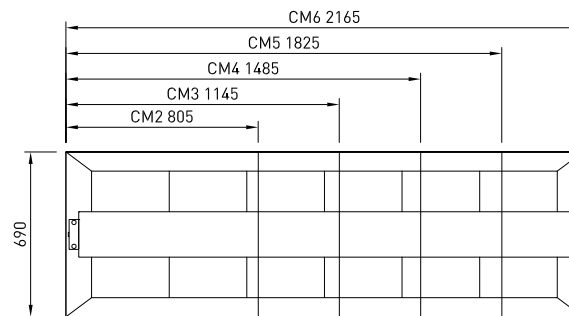
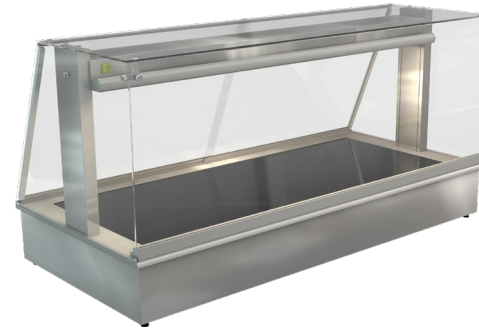
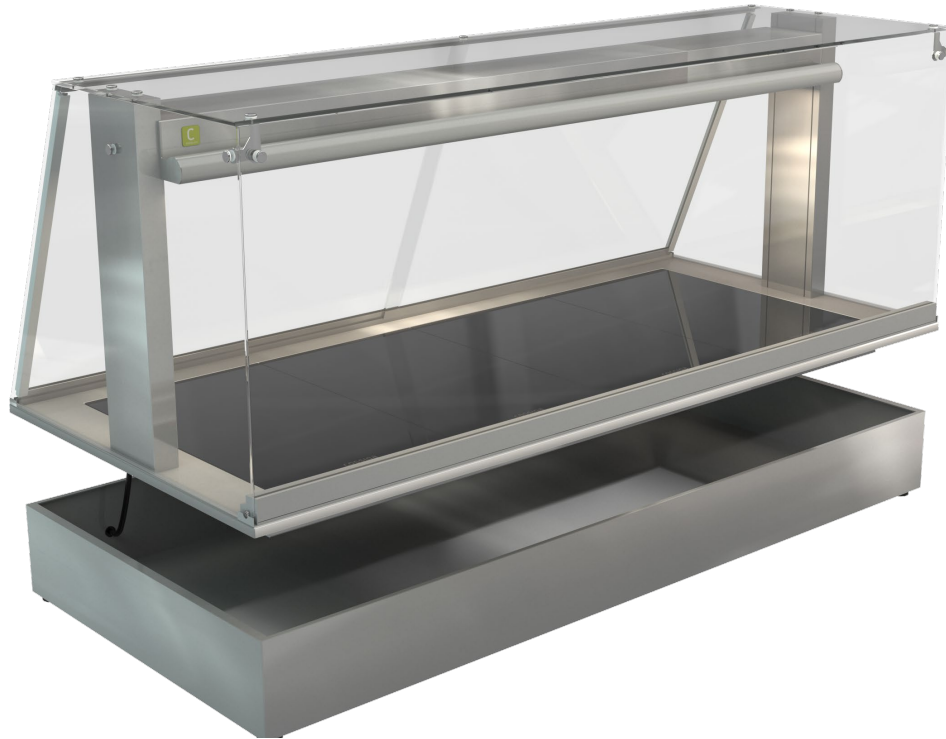




Meltica MDF panel or similar

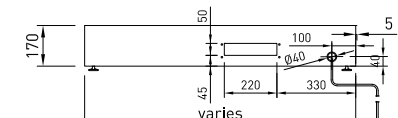
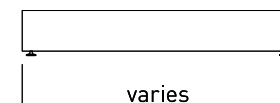
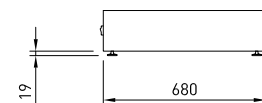
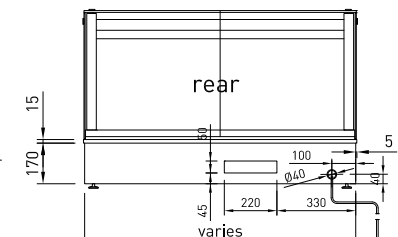
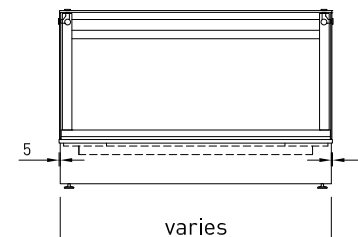
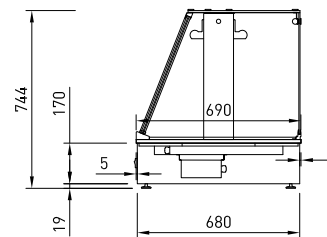


Drop into base

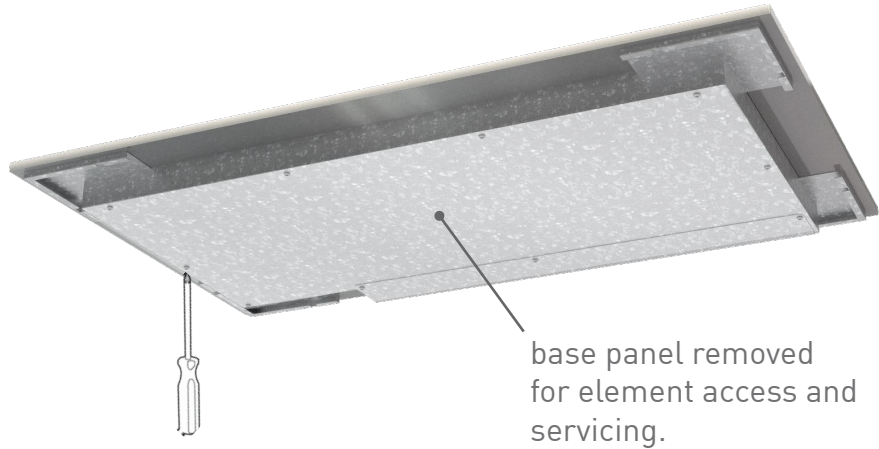


LS HEATED CERAMIC RISER	
MODEL	CODE
LSCM3 RISER	F93-197
LSCM4 RISER	F93-198
LSCM5 RISER	F93-199
LSCM6 RISER	F93-200

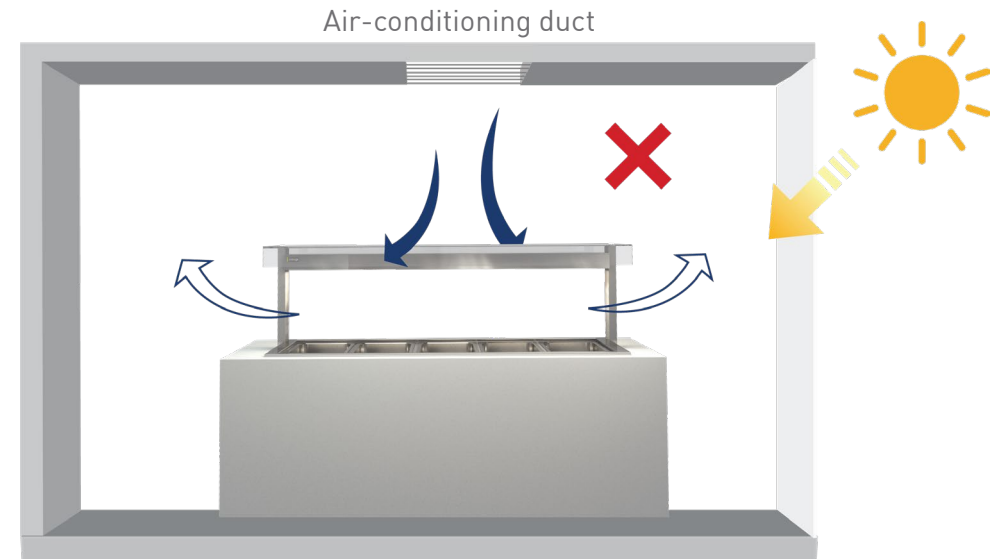
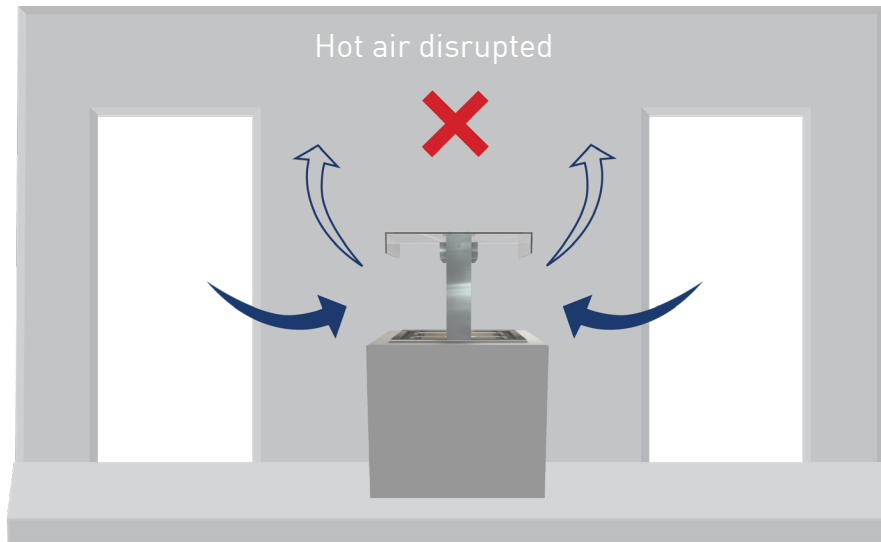
Stainless Steel Construction
Fits all LSCM units
Intergrated Digital Controller
Adjustable feet



SILICONE ELEMENT REPLACEMENT



The element is accessible through the base of the unit. Ensure to leave space to allow access for service on the under side of the unit. If no access is achievable the unit will need to be lifted out.



Locations to avoid

- Drafts from doorways
- Airflow from air-conditioning ducts
- Hot air from motors i.e. refrigerators
- Direct sunlight

Disrupted air flow

Heat from other equipment and natural conditions, such as direct sunlight straight on units, can cause cooling to fail and overload compressor

Mechanical air flows, such as diffusers and fans can disturb the air curtain on units causing failure