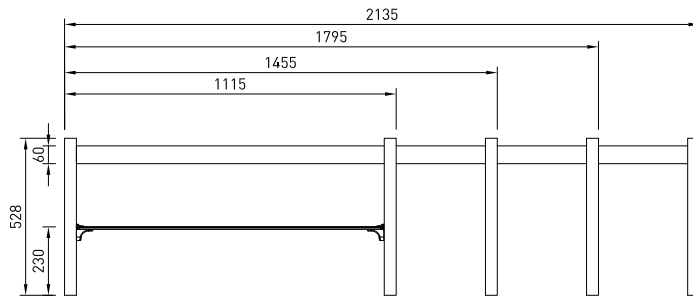
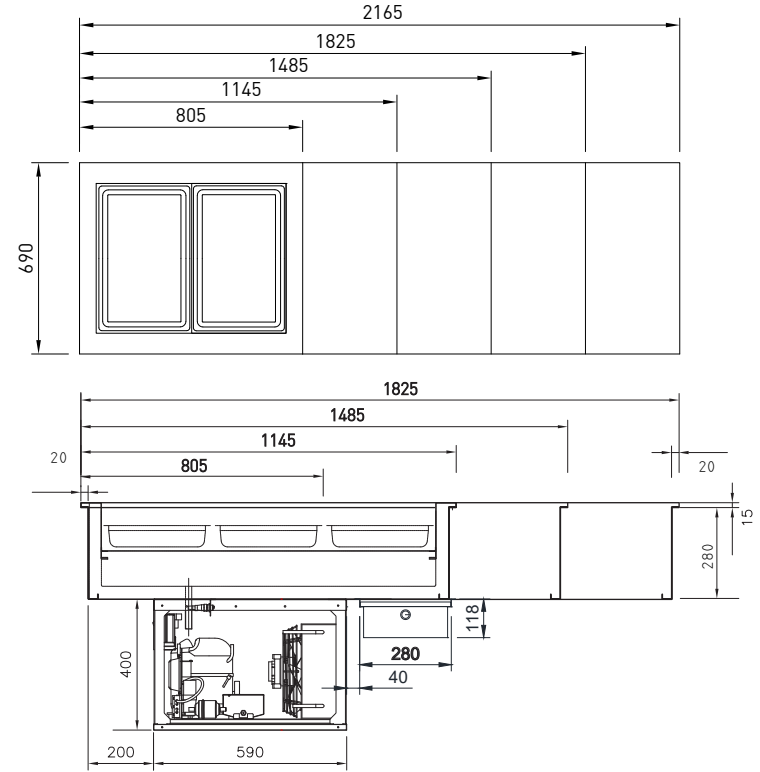
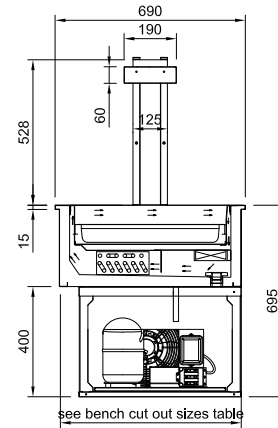




# RF

LSRF2  
LSRF3  
LSRF4  
LSRF5  
LSRF6

- Deck forced refrigeration
- Canopy LED light
- Integral condenser
- Self evaporating
- Foam insulated double skin base
- 65mm deep full size pan supplied



GANTRY SIZES

## CABINET DIMENSIONS & SPECIFICATIONS

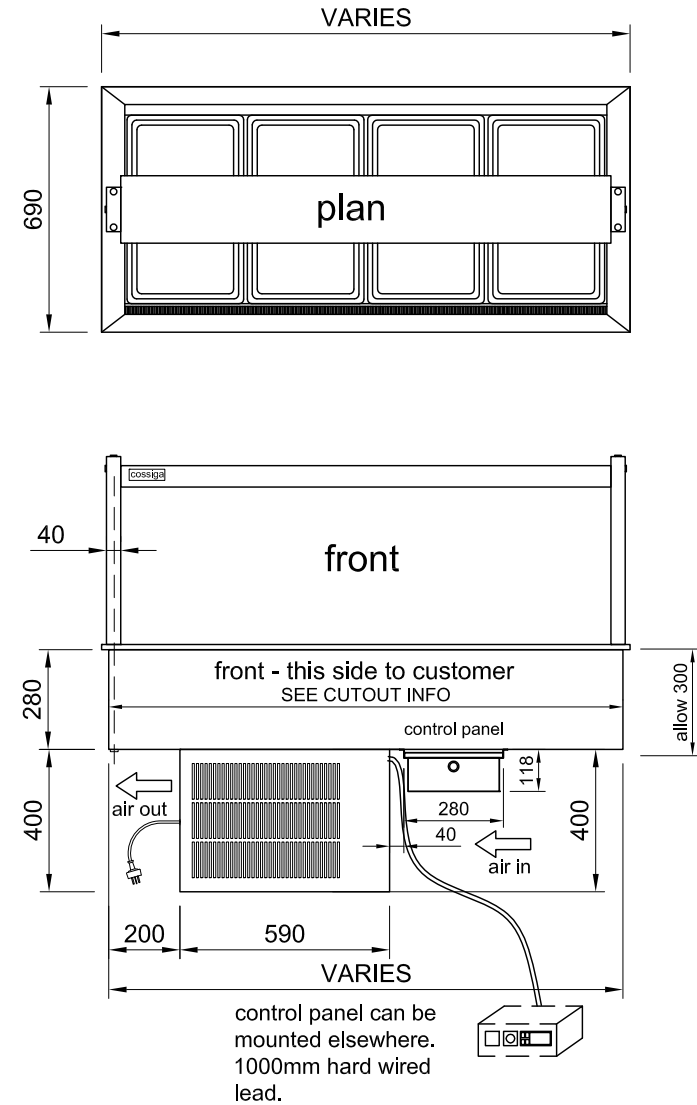
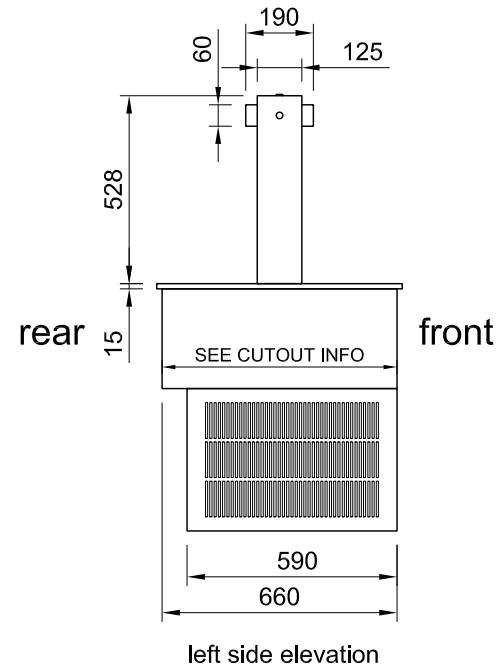
MODEL	CABINET				BENCH TOP CUT OUT HOLE SIZE	PANS	TEMP RANGE	REFRIGERANT	FREQUENCY	POWER		CONNECTION ELECTRICAL POWER CORD 3000MM		VOLTAGE	PACKED FOR SHIPPING			
	LENGTH [MM]	DEPTH [MM]	HEIGHT [MM]	WEIGHT [KG]						KW 230V	AMPS	NZ 10 AMP	UK 13 AMP		LENGTH [MM]	DEPTH [MM]	HEIGHT [MM]	WEIGHT [KG]
LSRF2	805	690	555	105	785x670	2 x 1/1 65mm Gastro Pan	3-8	R290	50 HZ	0.92	4.8	3 PIN PLUG	3 PIN PLUG	220-240V	910	770	1060	108
LSRF3	1145	690	555	128	1125x670	3 x 1/1 65mm Gastro Pans	3-8	R290	50 HZ	0.92	4.5	3 PIN PLUG	3 PIN PLUG	220-240V	1250	770	1060	134
LSRF4	1485	690	555	152	1465x670	4 x 1/1 65mm Gastro Pans	3-8	R290	50 HZ	0.92	4.5	3 PIN PLUG	3 PIN PLUG	220-240V	1590	770	1060	160
LSRF5	1825	690	555	179	1805x670	5 x 1/1 65mm Gastro Pans	3-8	R290	50 HZ	0.92	4.8	3 PIN PLUG	3 PIN PLUG	220-240V	1930	770	1060	180
LSRF6	2165	690	555	201	2145x670	6 x 1/1 65mm Gastro Pans	3-8	R290	50 HZ	1.15	5.5	3 PIN PLUG	3 PIN PLUG	220-240V	2270	770	1060	204

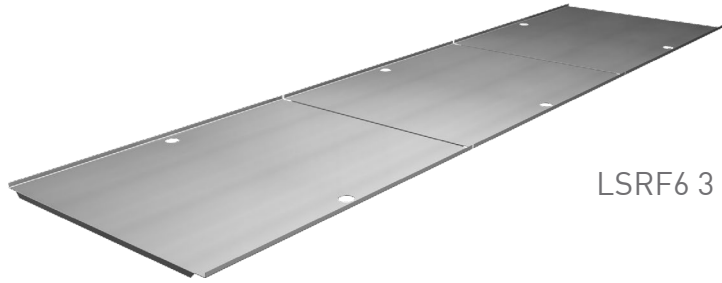
### ELECTRICAL POWER

Electrical power cord 2200mm  
3 pin 10 amp 1 phase socket required.

Maximum ambient operating temperature  
Climate class N Max 28°C, at 60% humidity

Clean condenser face at two  
weekly intervals





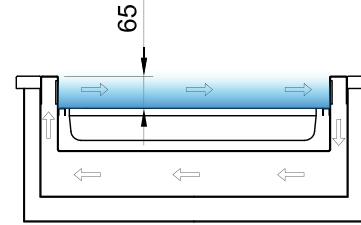
LSRF6 3 x Trays



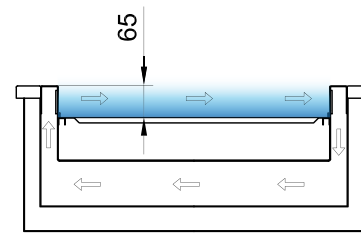
LSRF5 3 x Trays  
LSRF4



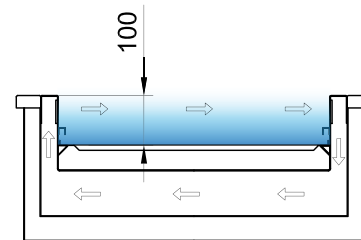
LSRF3 1 x Tray



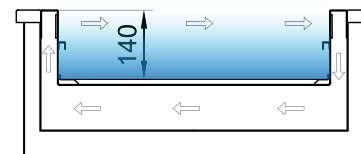
Gastronorm pan in pan support  
with locking divider bar system



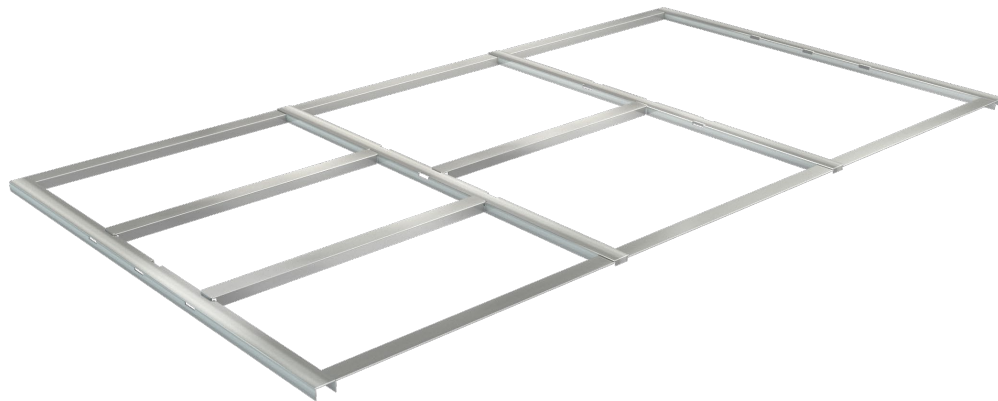
Tray at base level for  
maximum depth



Tray at 100mm level for  
raised display using supplied  
clips

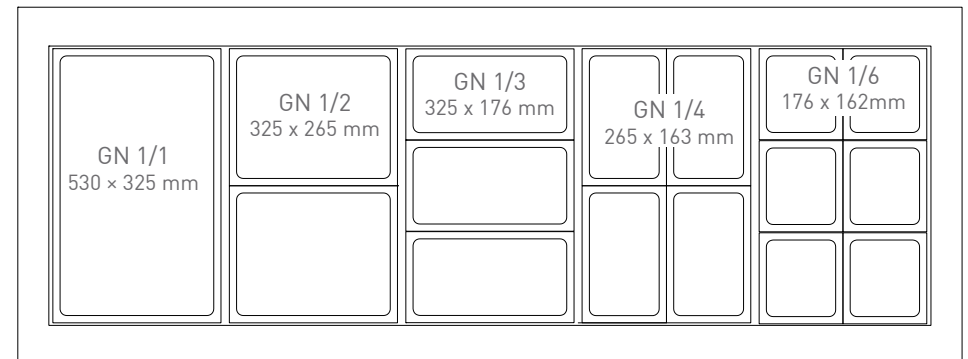


Tray at 140mm level for  
maximum depth



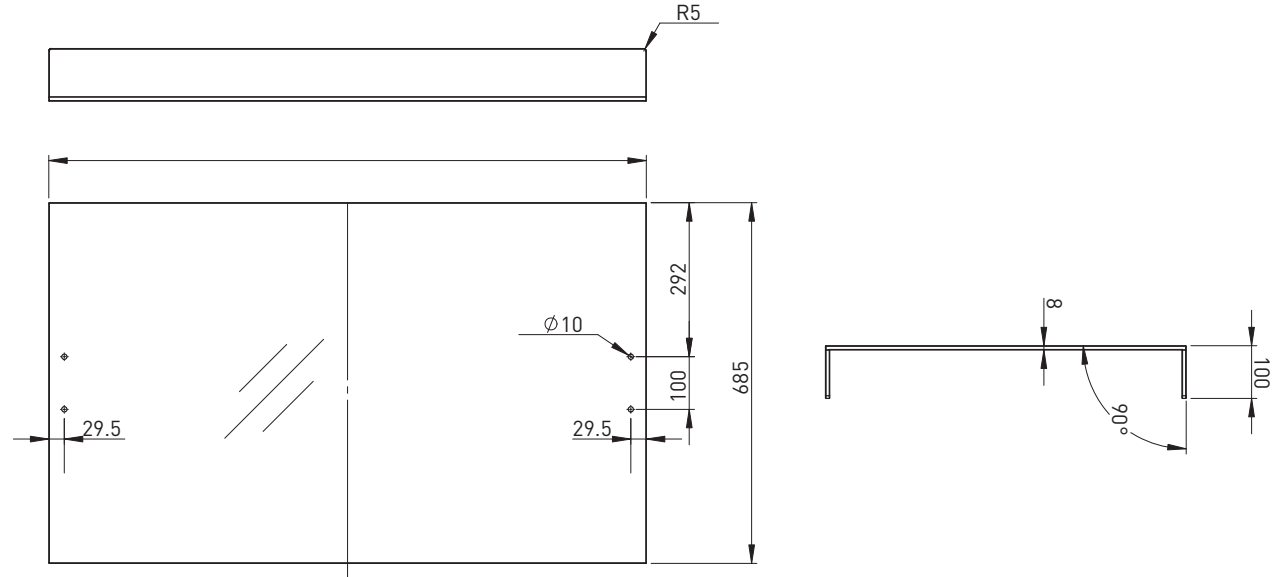
## LOCKING DIVIDER BARS

- Stainless steel locking divider bars provide the use of multiple gastro pan sizes. The bars can be arranged as required.
- GN 1/1 pans provided by COSSIGA with each LS unit smaller pan sizes arranged by customer and provided by others.

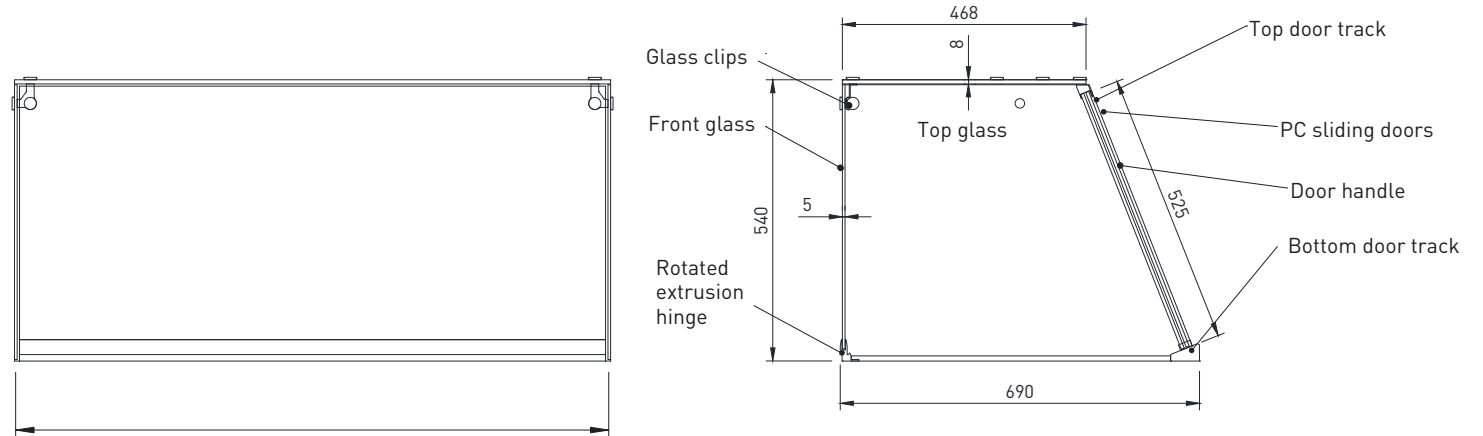


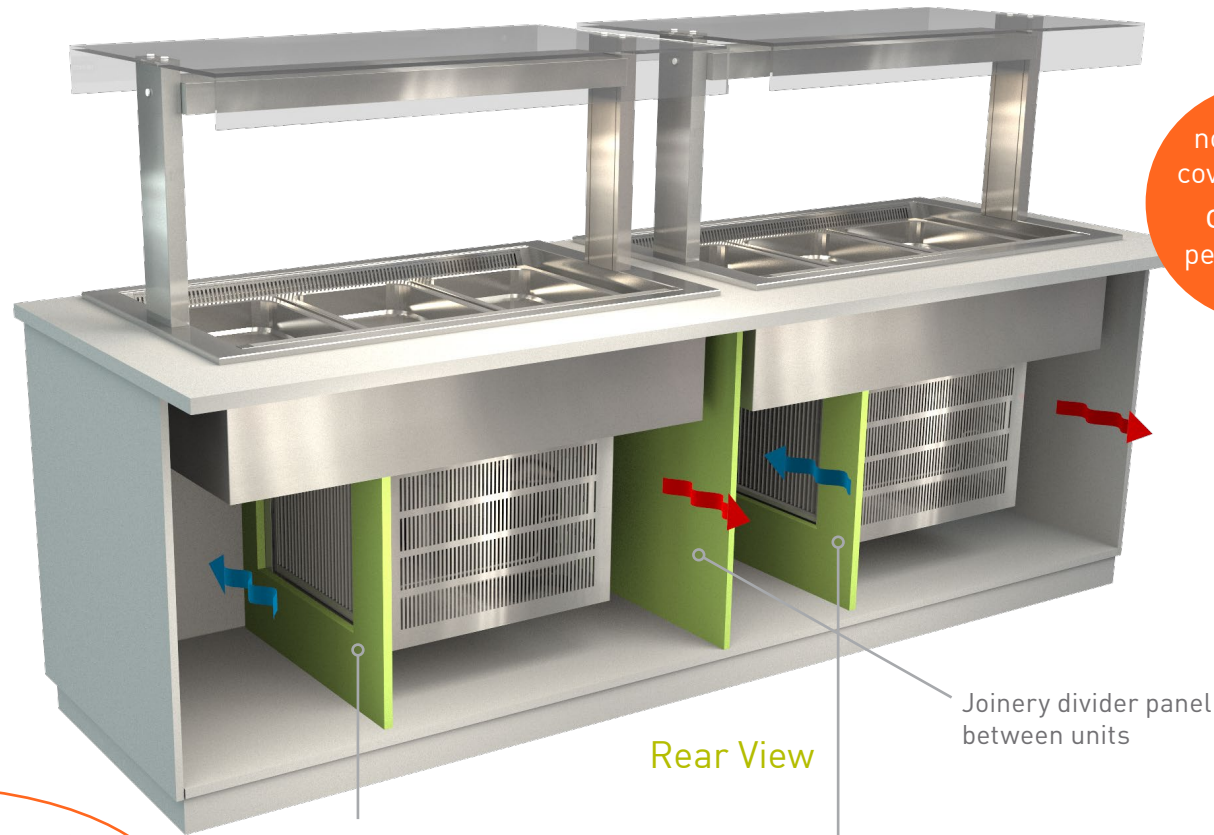


GLFT Flat Top



GLFS Full Square Glass





no doors or covers ensure optimal performance

Cossiga recommend the use of **EXTRACTION FAN** in all unit joinery for refrigerated units

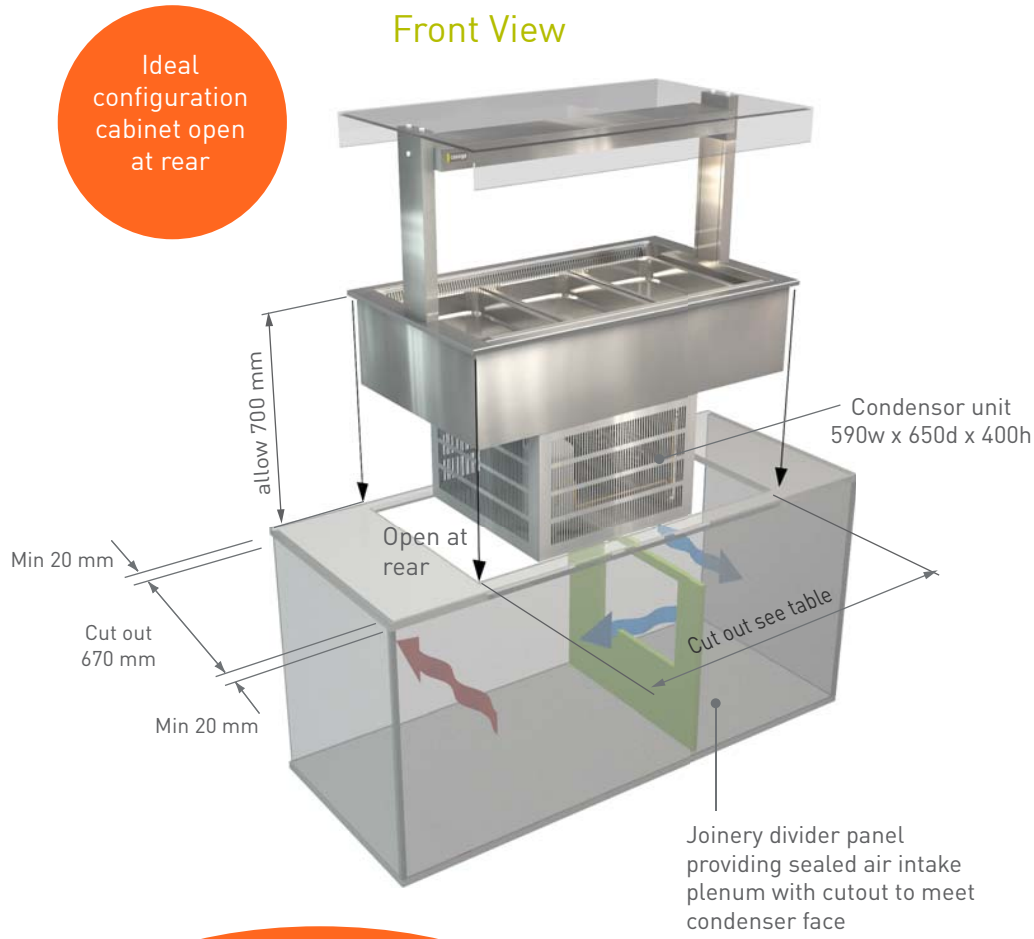
Rear View

Joinery divider panel between units

Joinery divider panel providing sealed air intake plenum with cutout to meet condenser face

## Multiple Units - Open Rear Side

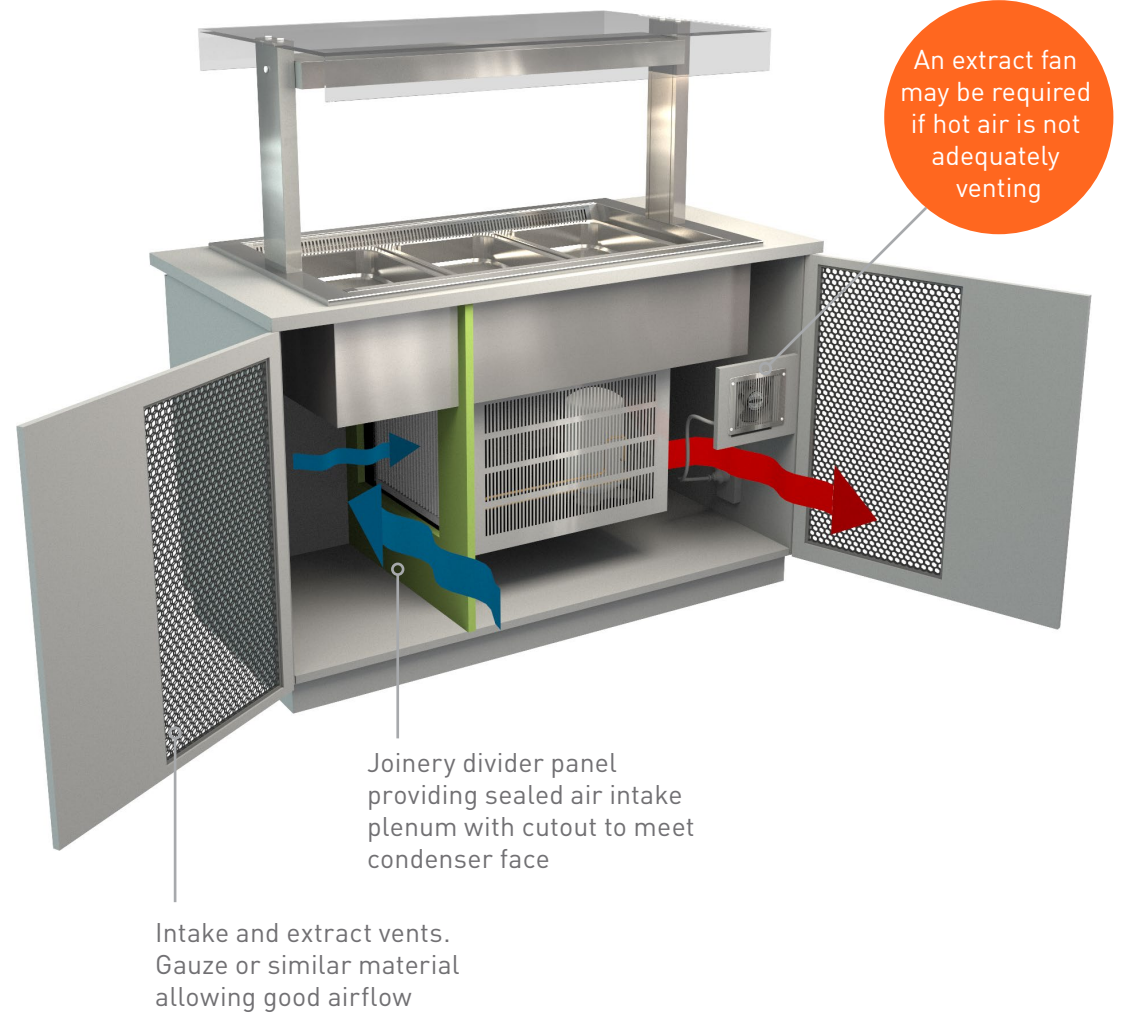
Front View



Ideal configuration cabinet open at rear

Cossiga recommend the use of extraction fan in all unit joinery for refrigerated units

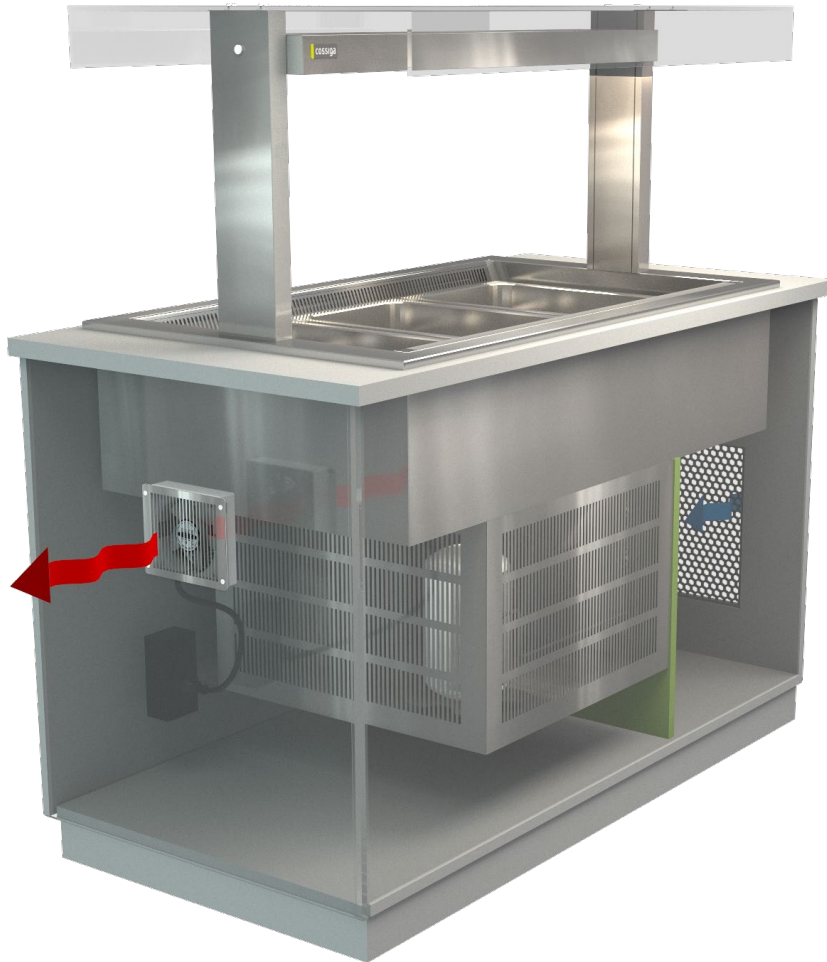
Rear View



## LSRF Drop In Cut Outs

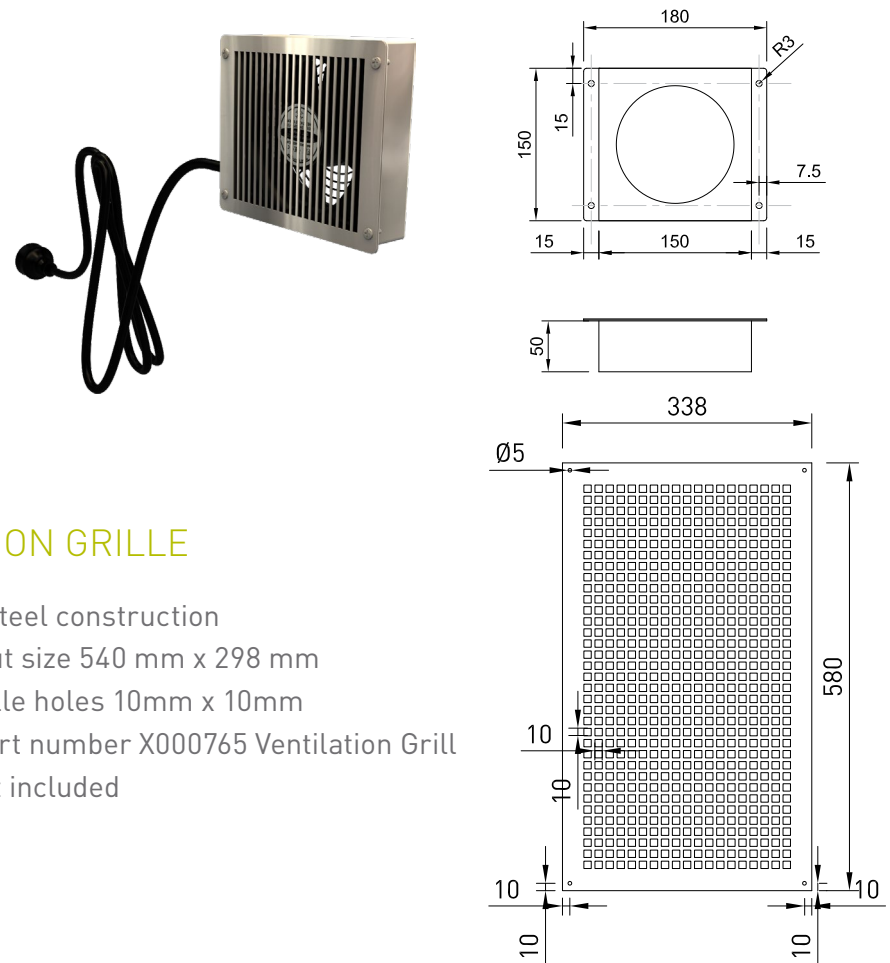
## Island Ventilation - Vented Doors

Front View



### EXTRACTION FAN

- Extract hot air from box joinery
- Fan and power cable supplied, screw fixed to joinery
- Electrical power cord 2000mm 3 pin 10 amp 1 phase socket required
- Fan 230v ~ 50Hz - 60Hz - 19 Watt in stainless steel case
- Cossiga part number X000611 Extraction Fan



### VENTILATION GRILLE

- Stainless steel construction
- Hole cut out size 540 mm x 298 mm
- Square grille holes 10mm x 10mm
- Cossiga part number X000765 Ventilation Grill  
Screws not included





Plumbed drain to waste

Join to condensate waste spigot in compressor unit

## PLUMBED DRAINAGE TO WASTE

- follow all local plumbing and building codes
- Building waste by client

## DRAINAGE RECOMMENDATIONS

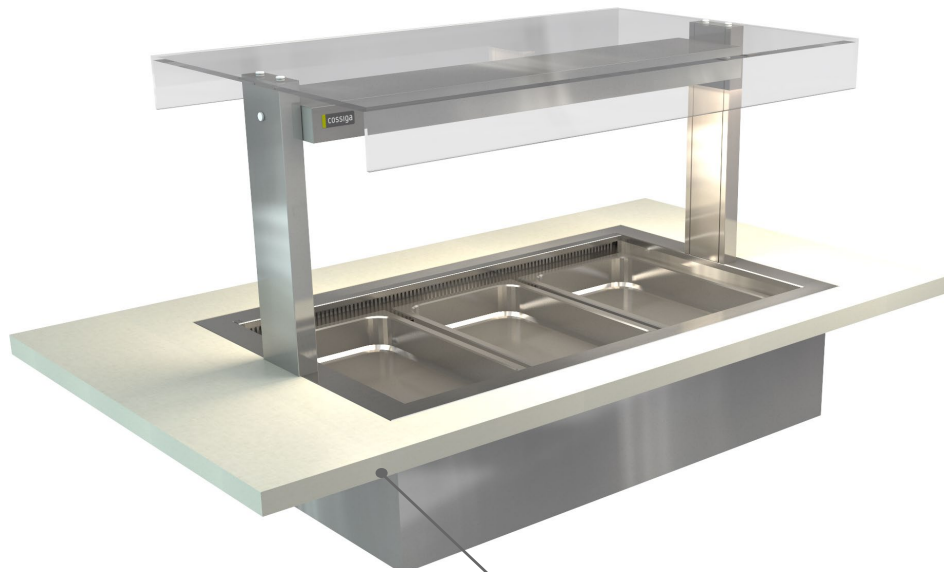
As standard units are self evaporating to a receptacle in the condenser unit. Should excess water be generated due to high temperature or humidity, a secondary reservoir should be provided. ( by others )

Alternatively, If waste piping is present we recommend plumbing unit in.

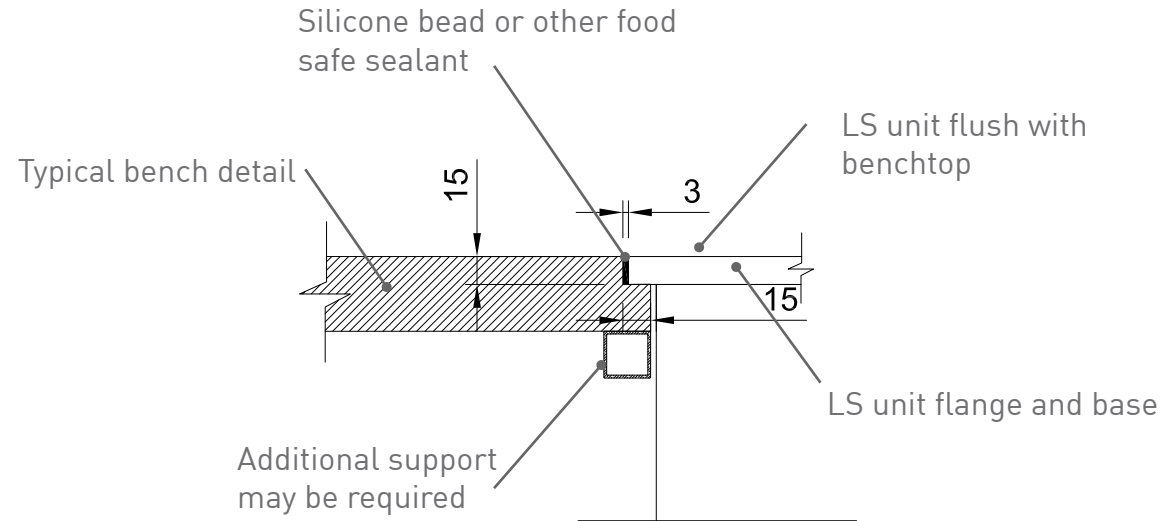
- Removes the need for and electric evaporation pan
- Creates less heat
- Uses less power

On new builds the RF unit is often next to a Bain Marie unit which requires waste drainage

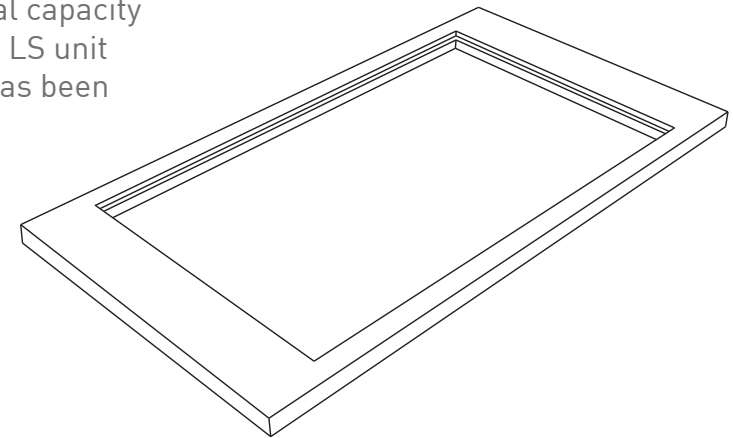
**PLUMBED TO WASTE**  
LOWER RUNNING COST  
LOWER SERVICE COST



Additional support may be required under bench ie. stainless steel hollow section to frame



Counter top joinery must be of sufficient structural capacity to take the weight of the LS unit when the flange detail has been made.



## ACRYLIC NIGHT COVERS

For LSRF units with flat top glass.  
Provides product protection over night  
or when needed.

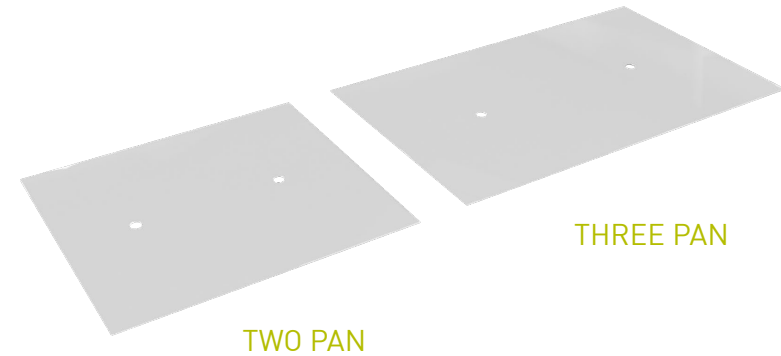
Sits above air flow system so cool air  
circulation is maintained.

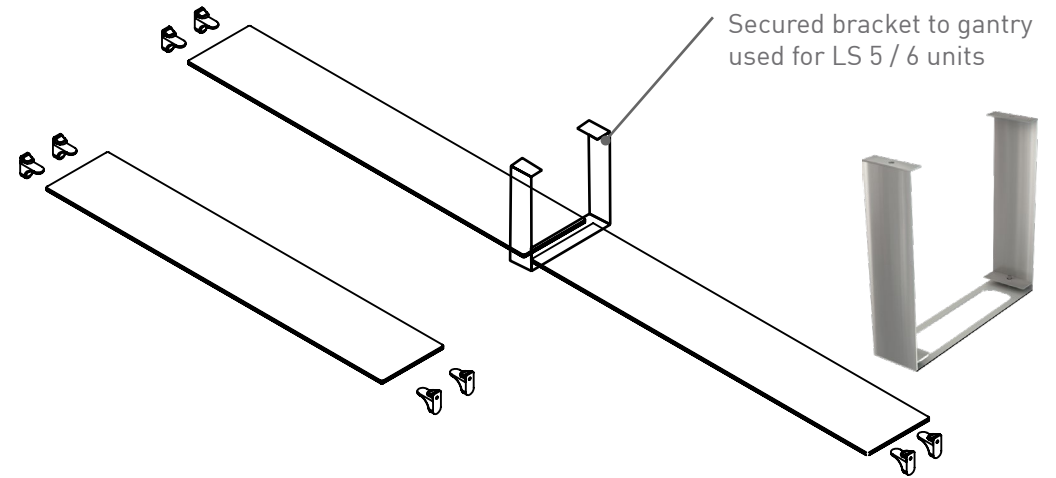
Acrylic panel with hole for easy placement.



## TWO SIZES

- Allows for all unit lengths

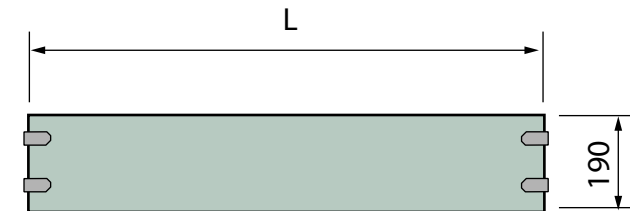




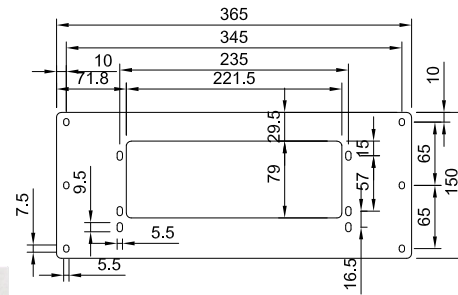
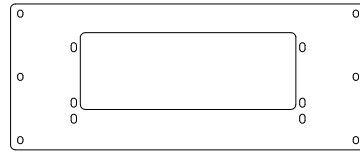
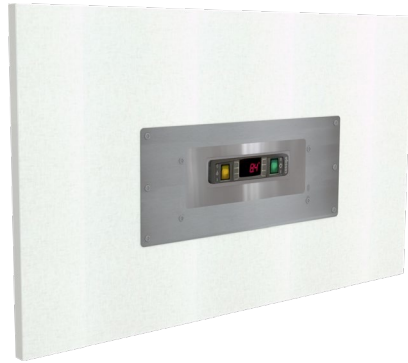
Any food displayed on glass shelf is above load line of well and therefore NOT REFRIGERATED

### GLASS SHELF Dimensions & Specifications

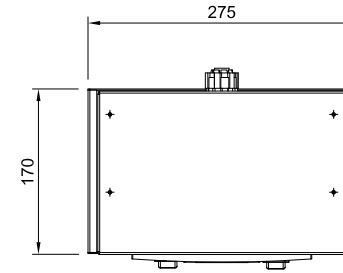
MODEL	CODE	QUANTITY	TOTAL SHELF LENGTH	SHELF DEPTH
LS-3	GLMS3	1	1025 MM	190 MM
LS-4	GLMS4	1	1365 MM	190 MM
LS-5	GLMS5	2	1705 MM	190 MM
LS-6	GLMS6	2	2045 MM	190 MM



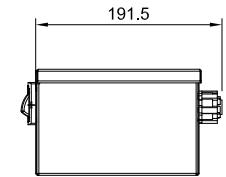
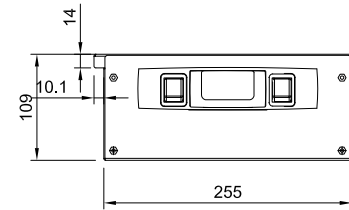
### LSRF BRACKET



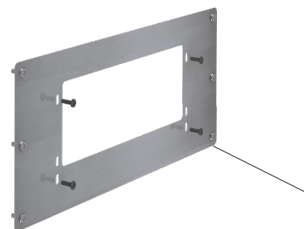
### LSRF CONTROLLER SIZE



BRACKET ORDERED AS AN OPTIONAL ACCESSORY

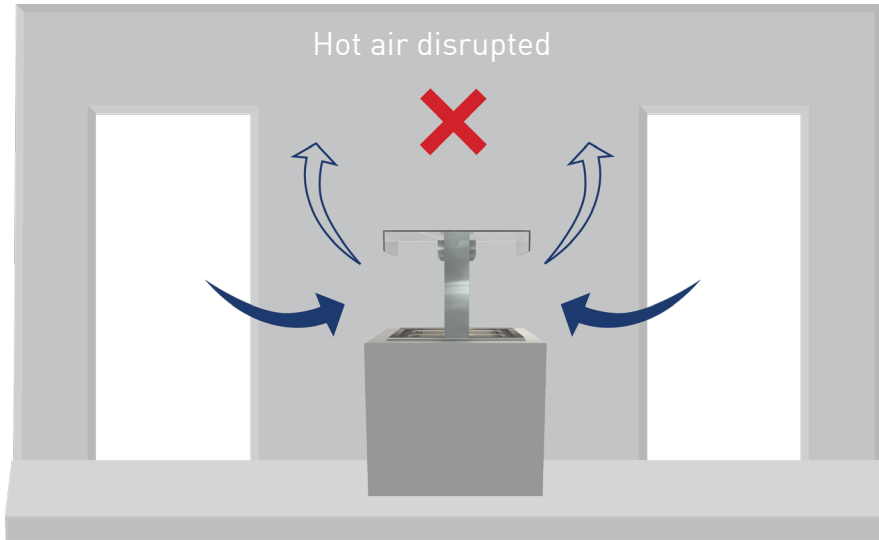


Meltica MDF panel or similar



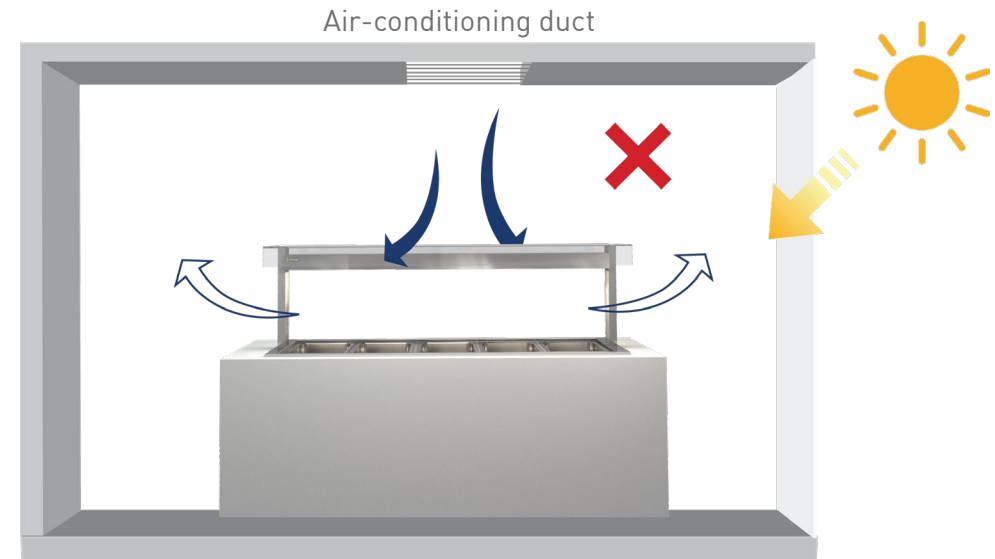
Bracket screw fixing to panel





## Locations to avoid

- Drafts from doorways
- Airflow from air-conditioning ducts
- Hot air from motors i.e. refrigerators
- Direct sunlight



## Disrupted air flow

Heat from other equipment and natural conditions, such as direct sunlight straight on units, can cause cooling to fail and overload compressor

Mechanical air flows, such as diffusers and fans can disturb the air curtain on units causing failure